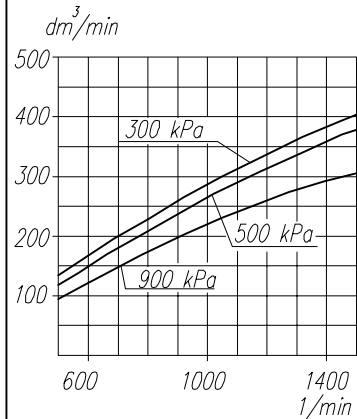
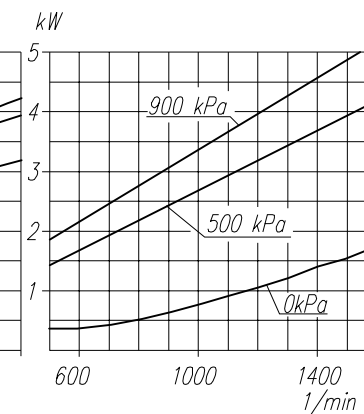


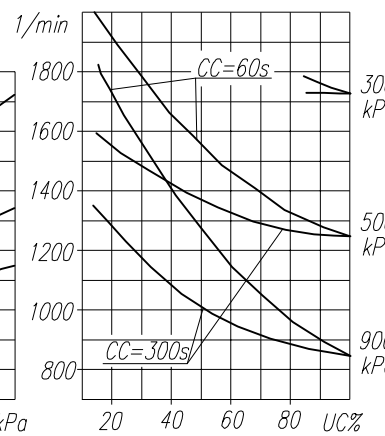
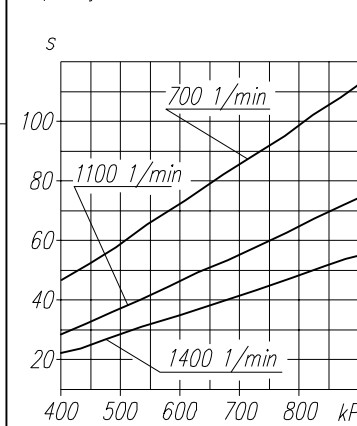
Suction capacity



Power consumption



Time to fill a tank of 40dm³ capacity

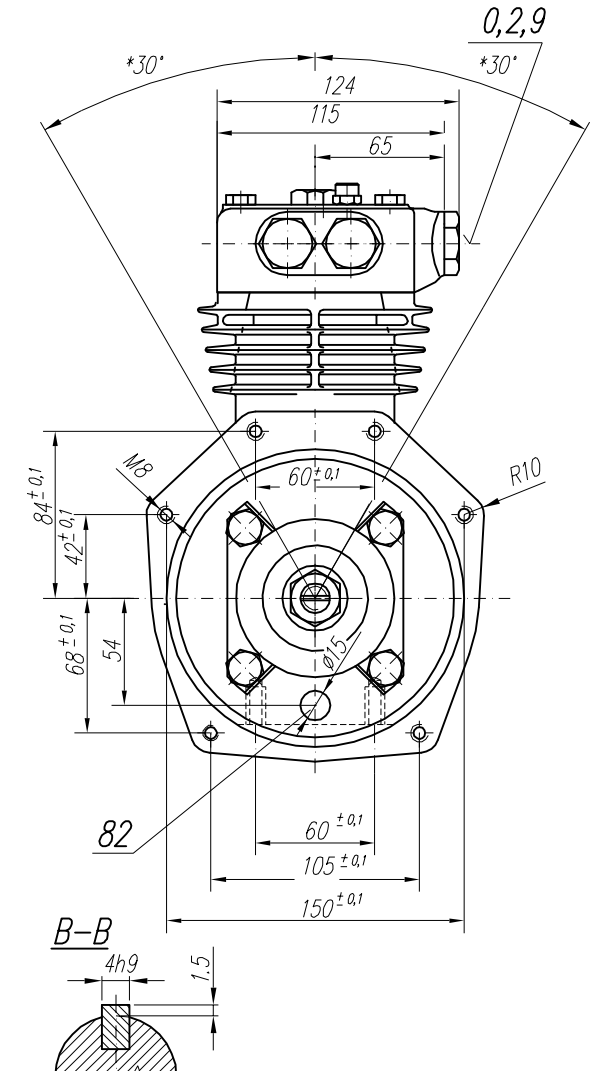
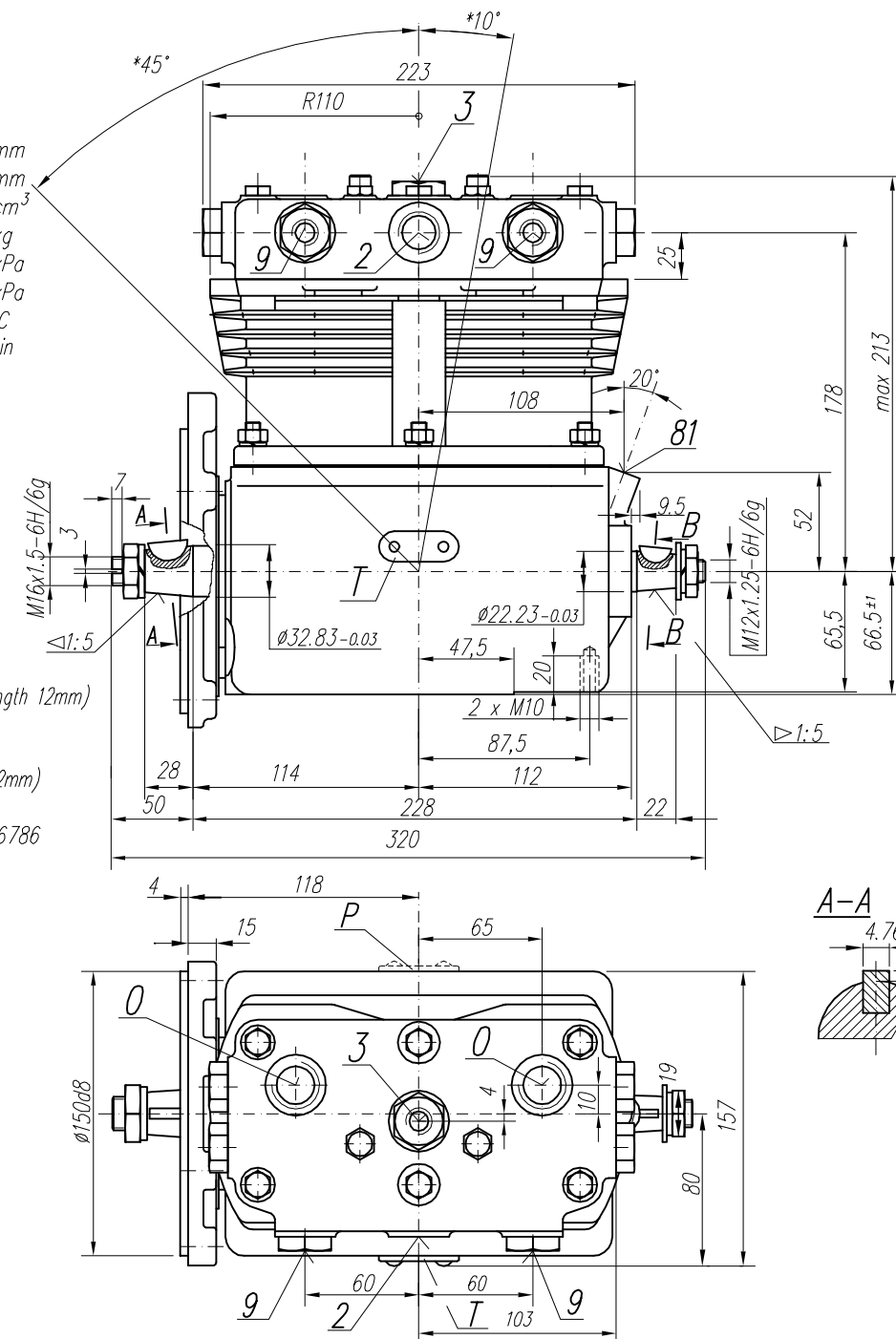


TECHNICAL DATA:

Number of cylinders 2
 Cylinder diameter 75 mm
 Piston stroke 48 mm
 Total piston displacement 424 cm³
 Mass 16.5 kg
 Working pressure 900 kPa
 Max. pressure for short time duty 1000 kPa
 Max. allowable temp. of compressed air +220 °C
 Cooling by circuit of the water min. flow 2dm³/min
 temp. of water at the inlet max. +85°C
 Lubrication forced circulation, splash lubrication
 min. pressure of oil 200kPa
 admissible min. pressure only as regards to idle runing of engine 70kPa

SYMBOLS DESCRIPTION:

0 - suction connection (thread M22x1,5 length 12mm)
 2 - discharge connection (thread M22x1,5 length 12mm) (on the head signifying "D")
 3 - breather de-aeration of the water chamber (thread M14x1,5 length 12mm)
 81 - lubricating oil inlet (thread M10x1 length 12mm)
 82 - lubricating oil outlet and crankcase breathing (Ø15)
 9 - cooling water inlet or outlet (thread M14x1,5 length 12mm) (on the head signifying "W")
 Numeral signs according to International Standard ISO-6786
 T - rating plate
 * - max. angular deflection of the compressor



NOTE! The above characteristics are for open-inlet-valve control system at minimum cooling requirements and at ambient temperature +20°C

DEFINITIONS: CC=CT+CL - period of average operating cycle

$UC = \frac{CT}{CC} \times 100\%$ - percent ratio of compressor full load operating time in average operating cycle (also called percent duty cycle)
 CL - compressor no-load operating time (exhaust to the atmosphere)
 CT - compressor full load operating time

CLASS	GENERAL TOLERANCES				FORCE, POWER PRESSURE ETC.
	RANGE OF NOMINAL DIMENSIONS (±)MM				
II	≤50	>50 ≤180	>180 ≤400	>400	±3'
	1.0	2.0	3.0	4.0	±10 %

OFFER DRAWING					
Konstr.	K.Malinowski	26.02.2001	FABRYKA OSPRZĘTU SAMOCHODOWEGO		
Normaliz.	A.Walnicky		POLMO-Łódź S.A.		
Sprawdził	W.Lesiak		Dział Konstrukcji		
Zatwierdził	B.Kleto				
Podziałka	Nazwa				
1:1	Compressor 602.04.917				