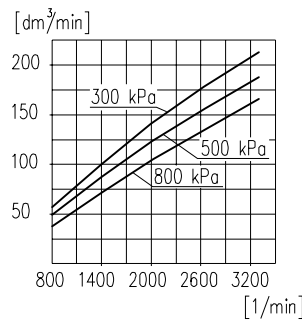
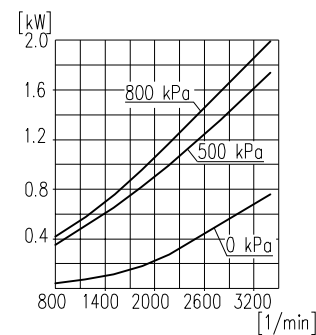


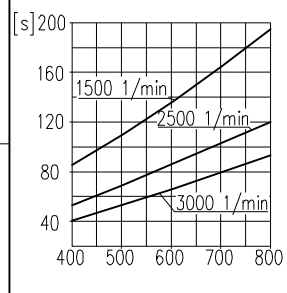
Suction capacity



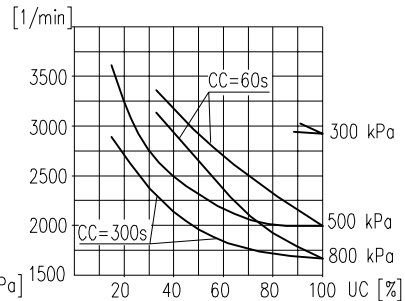
Power consumption



Time to fill a tank of 40dm³ capacity



Max. r.p.m. for continuous duty



TECHNICAL DATA:

Number of cylinders 1
 Cylinder diameter 60 mm
 Piston stroke 36 mm
 Total piston displacement 100 cm³
 Mass 8,4 kg
 Working pressure 800 kPa
 Max. pressure for short time duty 1000 kPa
 Max. allowable temp. of compressed air +220 °C
 Cooling by inflation of, air with the speed of the stream min. 4 m/s
 Lubrication forced circulation, splash lubrication
 min. pressure of oil 300±200 kPa
 (The pressure drop down is allowed to min. 60 kPa during the idle running of the heated up engine)
 Normal speed max. 3000 1/min
 Max. speed, temporary 3300 1/min

SYMBOLS DESCRIPTION:

0-suction connection
 2-discharge connection
 81-lubricating oil inlet
 82-lubricating oil outlet and crankcase breathing

Digital marking according to International Standard ISO-6786
 *-max. angular tilt of the compressor
 T-Datum plate
 ** - Stoped by plug
 * - max. angular deflection of the compressor

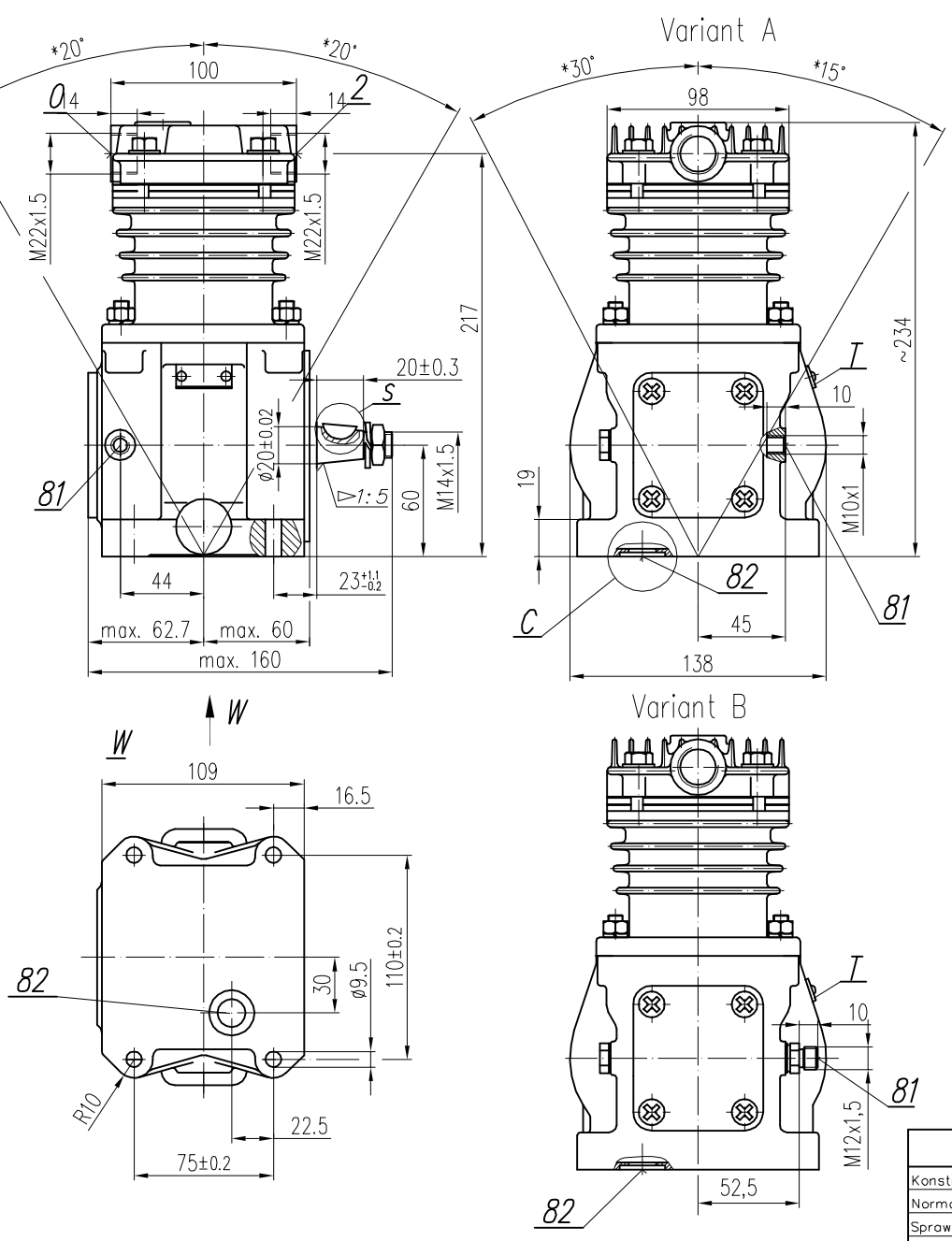
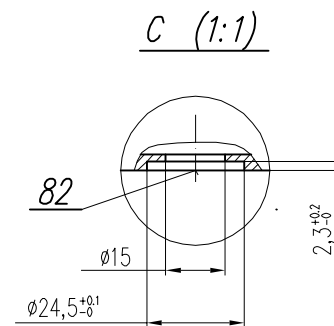
NOTE! The above characteristics are for open-inlet-valve control system at minimum cooling requirements and at ambient temperature +20°C

DEFINITIONS: CC=CT+CL - period of average operating cycle

$UC = \frac{CT}{CC} \times 100\%$ - percent ratio of compressor full load operating time in average operating cycle (also called percent duty cycle)

CL - compressor no-load operating time (exhaust to the atmosphere)

CT - compressor full load operating time



Compressor variants		
Scheme	Variant number	
	Variant A	Variant B
	601.35.991	-
	-	601.35.995
	601.35.992	-
	-	601.35.996
	601.35.993	-
	-	601.35.997
	601.35.994	-
	-	601.35.998
Description		
	Discharge port	
	Suction port	

CLASS	GENERAL TOLERANCES				FORCE, POWER PRESSURE ETC.
	RANGE OF NOMINAL DIMENSIONS (±)MM				
II	≤50	>50 ≤180	>180 ≤400	>400	±3'
	1.0	2.0	3.0	4.0	±10 %

OFFER DRAWING					
Konstr.	K. Malinowski	25.02.2010	FABRYKA OSPRZĘTU SAMOCHODOWEGO		
Normaliz.	A. Wołnicki		POLMO-KÓDZ S.A.		
Sprawdzit	A. Wołnicki		FOS Stuzba Rozwoju		
Zatwierdził	A. Wołnicki				
Podziałka	Nazwa	1:2.5 Compressor 601.35.991			