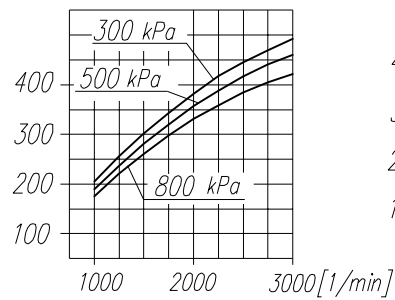


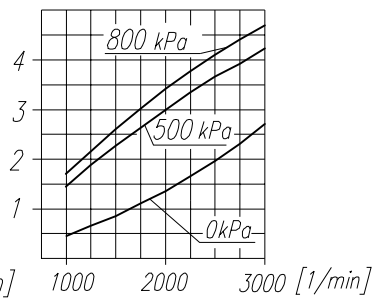
Suction capacity

[dm³/min]

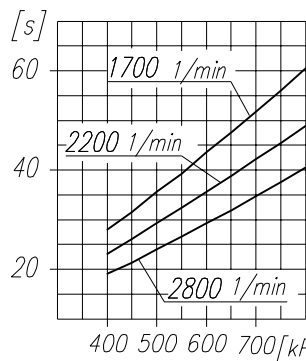


Power consumption

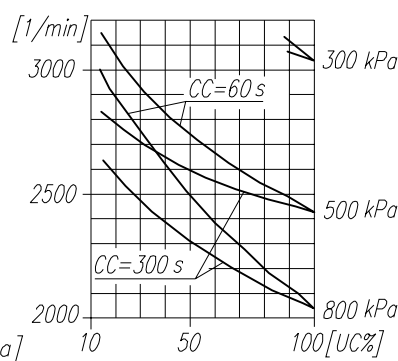
[kW]



Time to fill a tank of 40 dm³ volume



Max. r.p.m. for continuous duty



TECHNICAL DATA:

Number of cylinders 1
 Cylinder diameter 90 mm
 Piston stroke 46 mm
 Total piston displacement 293 cm³
 Mass 13,4 kg
 Working pressure 800 kPa
 Max. pressure for short time duty 1000 kPa
 Max. allowable temp. of compressed air +220 °C
 Cooling by circuit of the water min. flow 2 dm³/min
 temp. of water at the inlet max. +85 °C
 Lubrication forced circulation, splash lubrication
 min. pressure of oil 300±200 kPa
 (The pressure drop down is allowed to min. 60 kPa during the idle running of the heated up engine)

SYMBOL DESCRIPTION:

0 - suction connection (thread M26x1.5 length 16 mm)
 2 - discharge connection (thread M26x1.5 length 16 mm)
 81 - lubricating oil inlet (thread M10x1 length 10 mm)
 82 - lubricating oil outlet and crankcase breathing (hole ø15)
 91 - cooling water inlet (thread M22x1.5 length min. 14 mm)
 92 - cooling water outlet (thread M22x1.5 length min. 14 mm)
 Digital marking according to International Standard ISO-6786
 T - rating plate
 * - max. angular tilt of the compressor

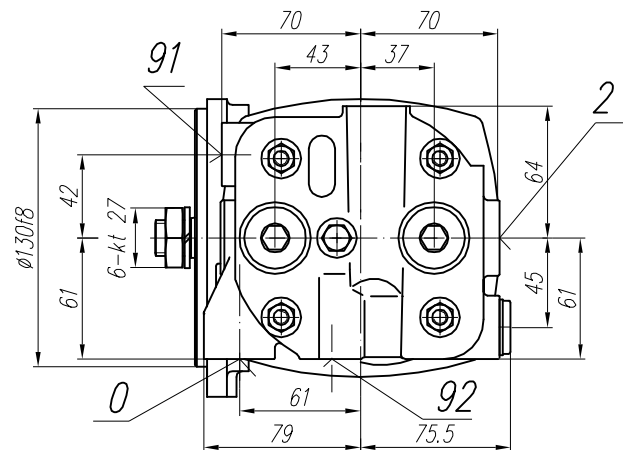
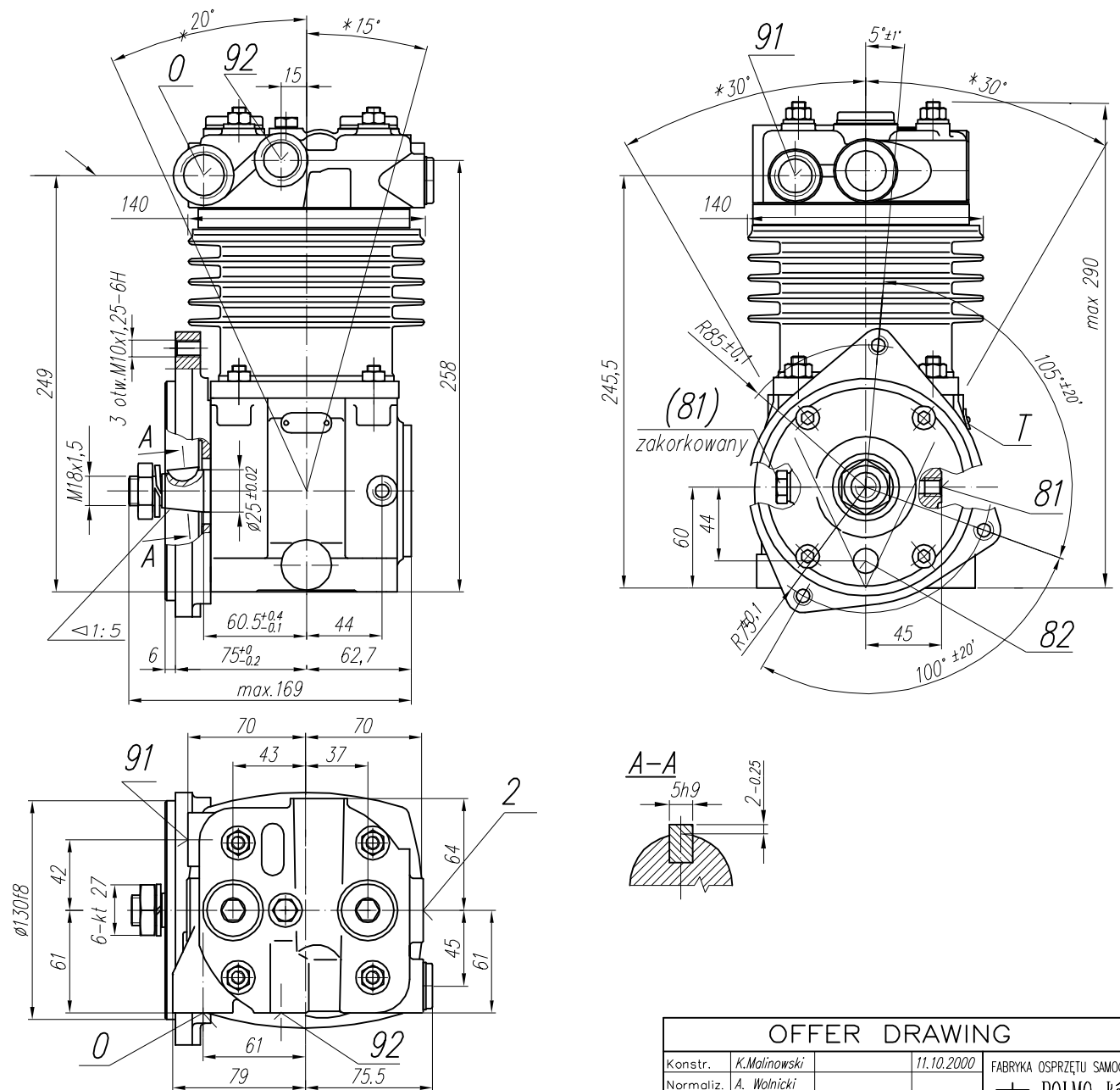
NOTE! The above characteristics are for open air suction system at ambient temperature +20°C and for cooling with fan

DEFINITIONS: CC=CT+CL - period of compressor average operating cycle

$UC = \frac{CT}{CC} \times 100\%$ - percentage fraction of loaded compressor operating time in average operating cycle

CL - compressor no-load operating time (free blow-out to atmosphere)

CT - loaded compressor operating time



GENERAL TOLERANCES				
CLASS	RANGE OF NOMINAL DIMENSIONS (±)MM			
	≤50	>50 ≤180	>180 ≤400	>400
II	1.0	2.0	3.0	4.0

FORCE, POWER PRESSURE ETC. ±3* ±10 %

OFFER DRAWING			
Konstr.	K.Malinowski	11.10.2000	FABRYKA OSPRZĘTU SAMOCHODOWEGO
Normaliz.	A.Walnicky		POLMO-KÓDZ S.A.
Sprawdzit	W.Lesiak		
Zatwierdził	B.Kleto		FOS/Dział Konstrukcji
Podziałka	Nazwa	1:2,5 Compressor 601.27.919	