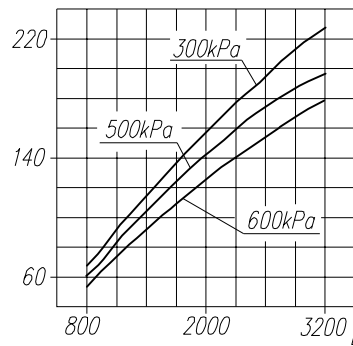
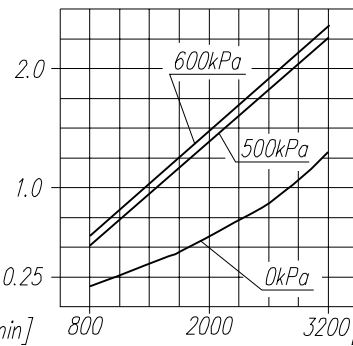


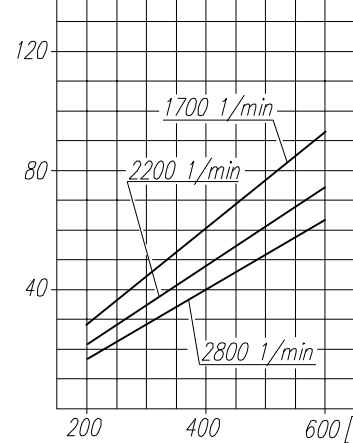
Suction capacity
[dm³/min]



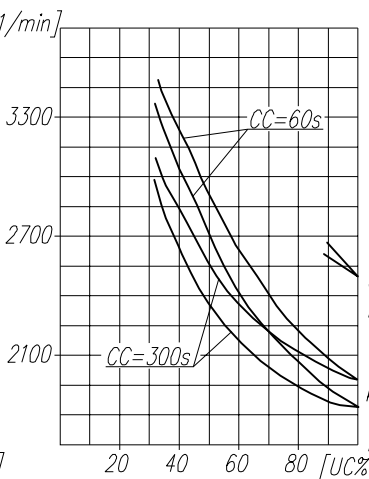
Power consumption
[kW]



Time to fill a tank of 40dm³
capacity
[S]



Max. r.p.m. for continuous duty
[1/min]



TECHNICAL DATA:

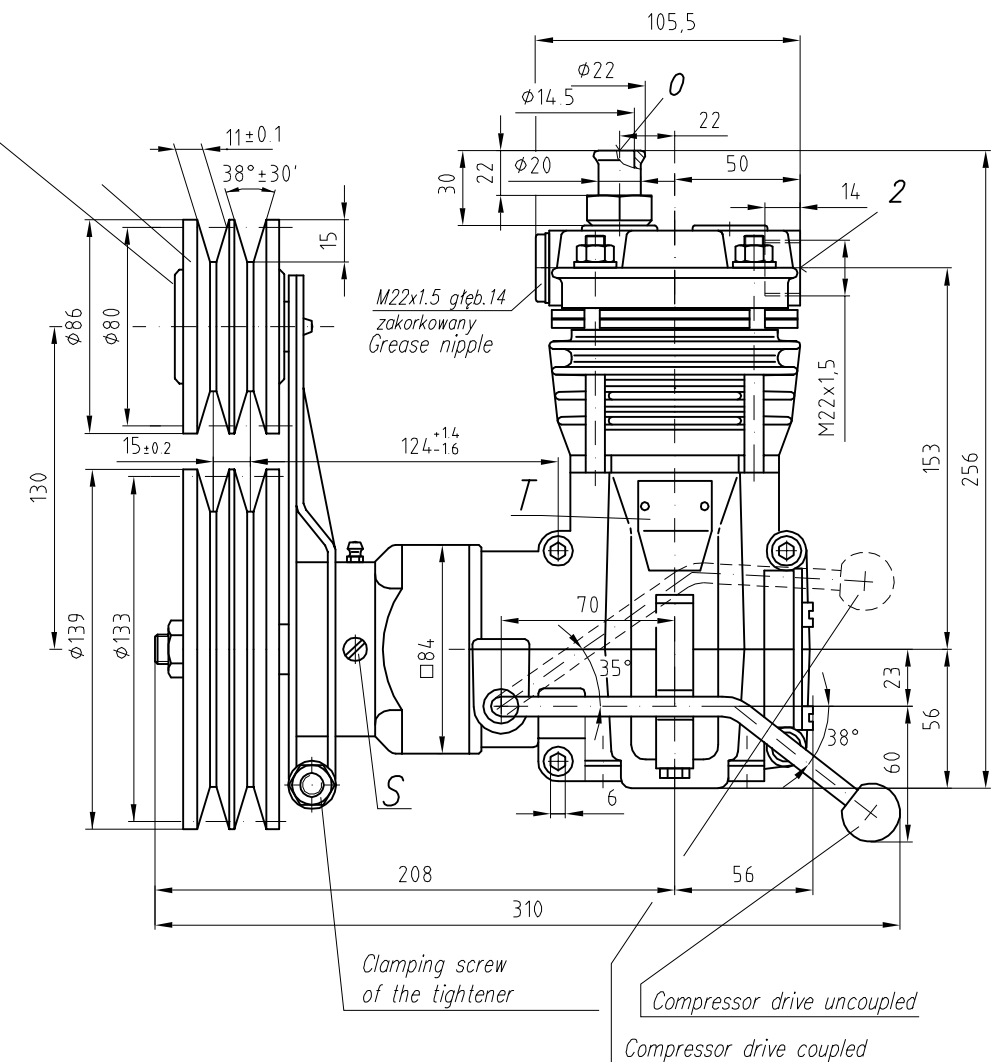
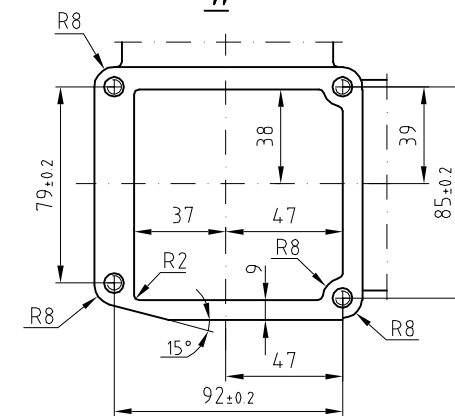
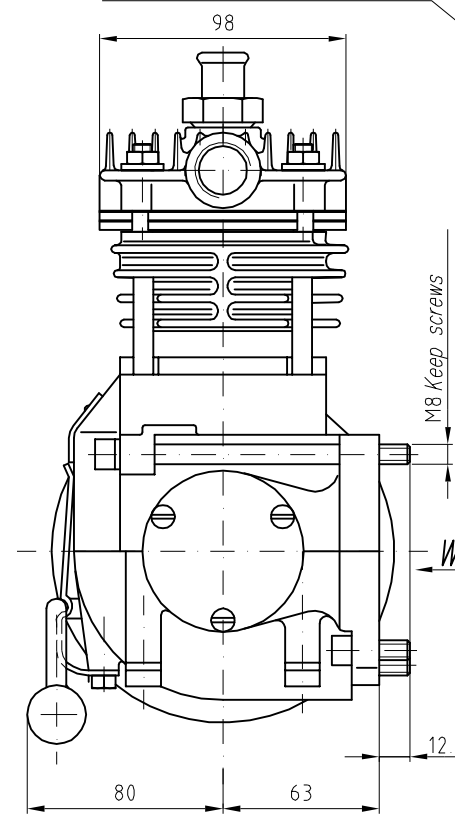
- Number of cylinders 1
- Cylinder diameter 60 mm
- Piston stroke 40 mm
- Total piston displacement 113 cm³
- Mass 11.2 kg
- Working pressure 800 kPa
- Max. pressure for short time duty 1000 kPa
- Max. allowable temp. of compressed air +220 °C
- Cooling by inflation of air, with the speed of the stream min. 4m/s

Lubrication fog of the oil from engine

SYMBOLS DESCRIPTION:

- 0 - suction connection
- 2 - discharge connection
- Numeral signs according to International Standard ISO-6786
- T - rating plate
- S - The checking hole of lubrication blind with screw M6

It is possible to turn the tightener round the axle large belt wheel - 360°



NOTE! The above characteristics are for open-inlet-valve control system at minimum cooling requirements and at ambient temperature of +20°C

DEFINITIONS: CC=CT+CL - period of average operating cycle

$UC = \frac{CT}{CC} \times 100\%$ - percent ratio of compressor full load operating time in average operating cycle (also called percent duty cycle)

CL - compressor no-load operating time (exhaust to the atmosphere)

CT - compressor full load operating time

OFFER DRAWING

Konstr.	K.Malinowski	26.03.2007	FABRYKA OSPRZĘTU SAMOCHODOWEGO
Normaliz.	A.Wolnicki		POLMO-KÓDZ S.A. FOS Dział Konstrukcji
Sprawdzit	A.Wolnicki		
Zatwierdził	A.Wolnicki		
Podziałka	Nazwa	1:2 Compressor 601.26.918	