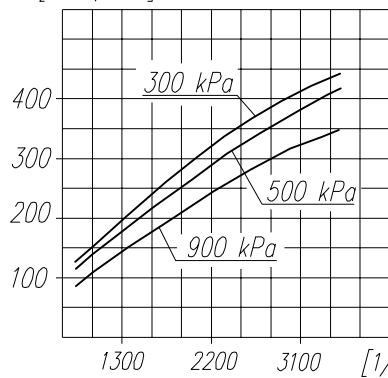


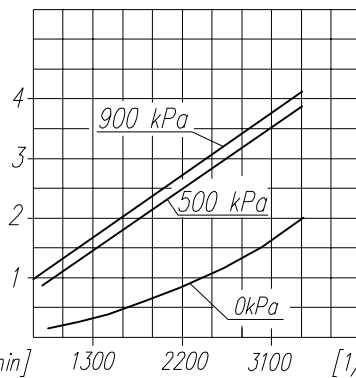
Suction capacity

[dm³/min]

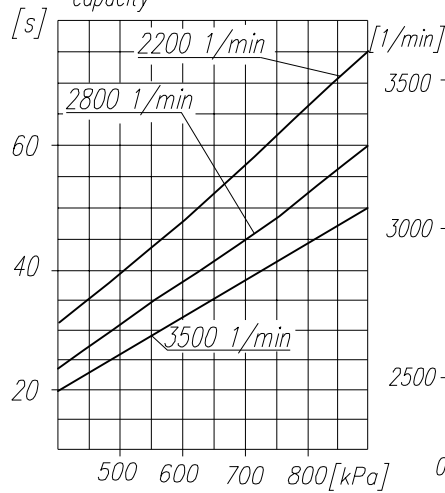


Power consumption

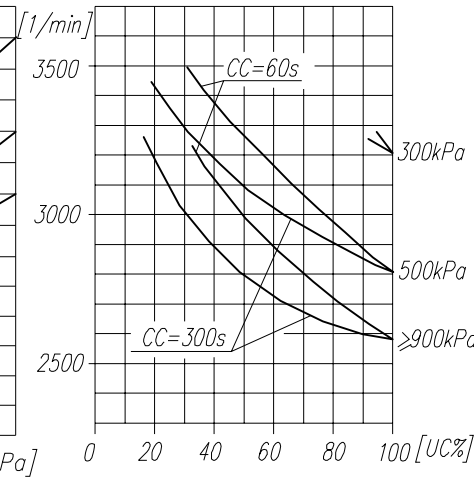
[kW]



Time to fill a tank of 40dm³ capacity



Max. r.p.m. for continuous duty



TECHNICAL DATA:

Number of cylinders 1
 Cylinder diameter 90 mm
 Piston stroke 36 mm
 Total piston displacement 229 cm³
 Mass 11.4 kg
 Working pressure to 1000 kPa
 Max. allowable temp. of compressed air +220 °C
 Cooling by circuit of the water min. flow 2dm³/min
 temp. of water at the inlet max. +85°C
 Lubrication forced circulation, splash lubrication
 at min. pressure of 200kPa
 Lubrication

SYMBOLS DESCRIPTION:

0 - suction connection (thread M26x1.5 lengthways 16mm)
 2 - discharge connection (thread M26x1.5 lengthways 16mm)
 81 - lubricating oil inlet (thread M10x1 lengthways 10mm)
 82 - lubricating oil outlet and crankcase breathing (thread M22x1.5 lengthways 10mm)
 91 - cooling water inlet (thread M22x1.5 lengthways min.14mm)
 92 - cooling water outlet (thread M22x1.5 lengthways min.14mm)
 Numerical signs according to International Standard ISO-6786
 T - rating plate
 * - max. angular deflection of the compressor

compressor variety	S[mm]	W[mm]
601.24.901	277	292
601.24.902	292	292
601.24.903	277	277

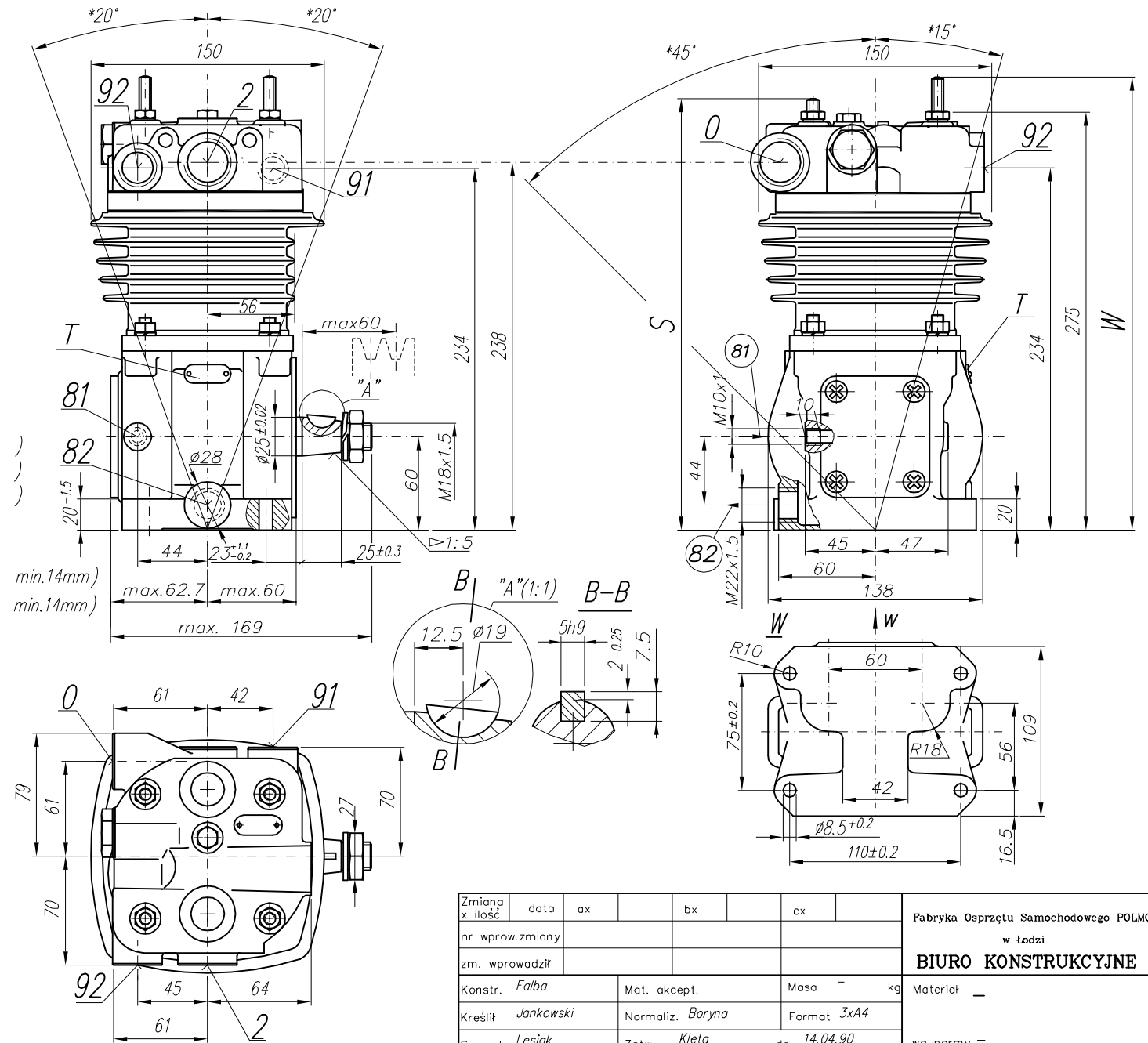
NOTE! The above characteristics are for open-inlet-valve control system at minimum cooling requirements and at ambient temperature +20°C

DEFINITIONS: CC=CT+CL - period of average operating cycle

$UC = \frac{CT}{CC} \times 100\%$ - percent ratio of compressor full load operating time in average operating cycle (also called percent duty cycle)

CL - compressor no-load operating time (exhaust to the atmosphere)

CT - compressor full load operating time



Zmiana x ilość	data	ax	bx	cx	Fabryka Osprzętu Samochodowego POLMO w Łodzi
nr. wprowadz. zmiany					BIURO KONSTRUKCYJNE
zm. wprowadził					
Konstr. Falba	Mat. akcept.		Masa - kg		Materiał -
Kreślił Jankowski	Normaliz. Boryna		Format 3xA4		
Sprawdz. Lesiak	Zatw. Klela		dn. 14.04.90		wg normy -
Podziaka	Nazwa		601.24.901 601.24.902 601.24.903		Nr rys. 601.24.901
1:2.5	Compressors				