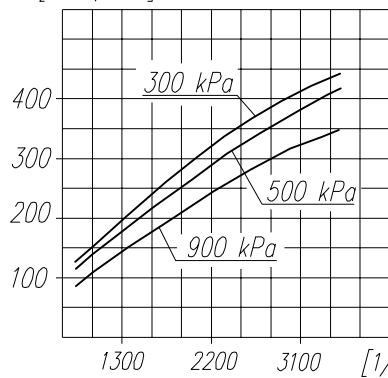


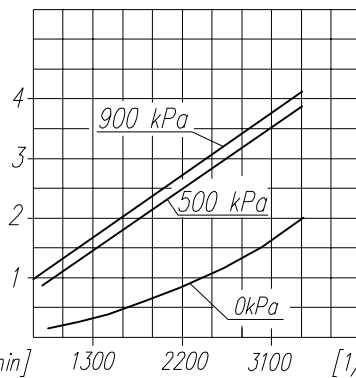
Suction capacity

[dm³/min]

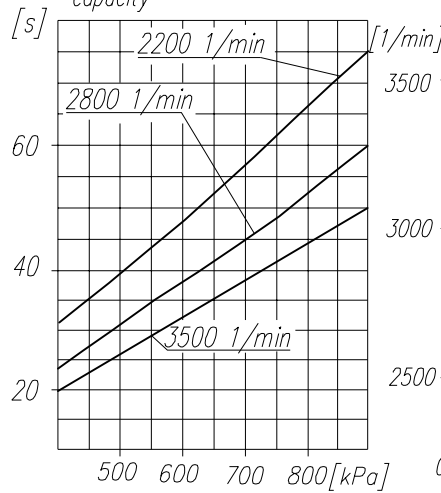


Power consumption

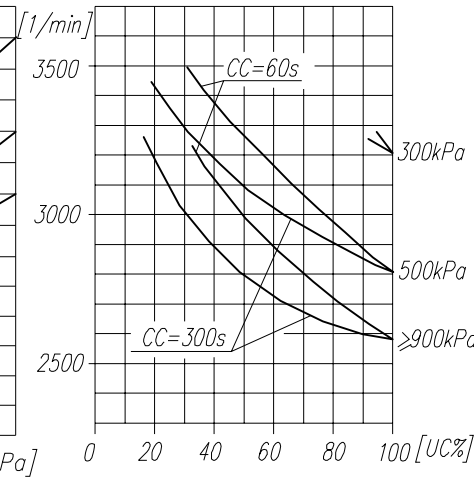
[kW]



Time to fill a tank of 40dm³ capacity



Max. r.p.m. for continuous duty



TECHNICAL DATA:

Number of cylinders 1
 Cylinder diameter 90 mm
 Piston stroke 36 mm
 Total piston displacement 229 cm³
 Mass 11.4 kg
 Working pressure to 1000 kPa
 Max. allowable temp. of compressed air +220 °C
 Cooling by circuit of the water min. flow 2dm³/min
 temp. of water at the inlet max. +85°C
 Lubrication forced circulation, splash lubrication
 at min. pressure of 200kPa
 Lubrication

SYMBOLS DESCRIPTION:

0 - suction connection (thread M26x1.5 lengthways 16mm)
 2 - discharge connection (thread M26x1.5 lengthways 16mm)
 81 - lubricating oil inlet (thread M10x1 lengthways 10mm)
 82 - lubricating oil outlet and crankcase breathing (thread M22x1.5 lengthways 10mm)
 91 - cooling water inlet (thread M22x1.5 lengthways min.14mm)
 92 - cooling water outlet (thread M22x1.5 lengthways min.14mm)
 Numerical signs according to International Standard ISO-6786
 T - rating plate
 * - max. angular deflection of the compressor

| compressor variety | S[mm] | W[mm] |
|--------------------|-------|-------|
| 601.24.901 | 277 | 292 |
| 601.24.902 | 292 | 292 |
| 601.24.903 | 277 | 277 |

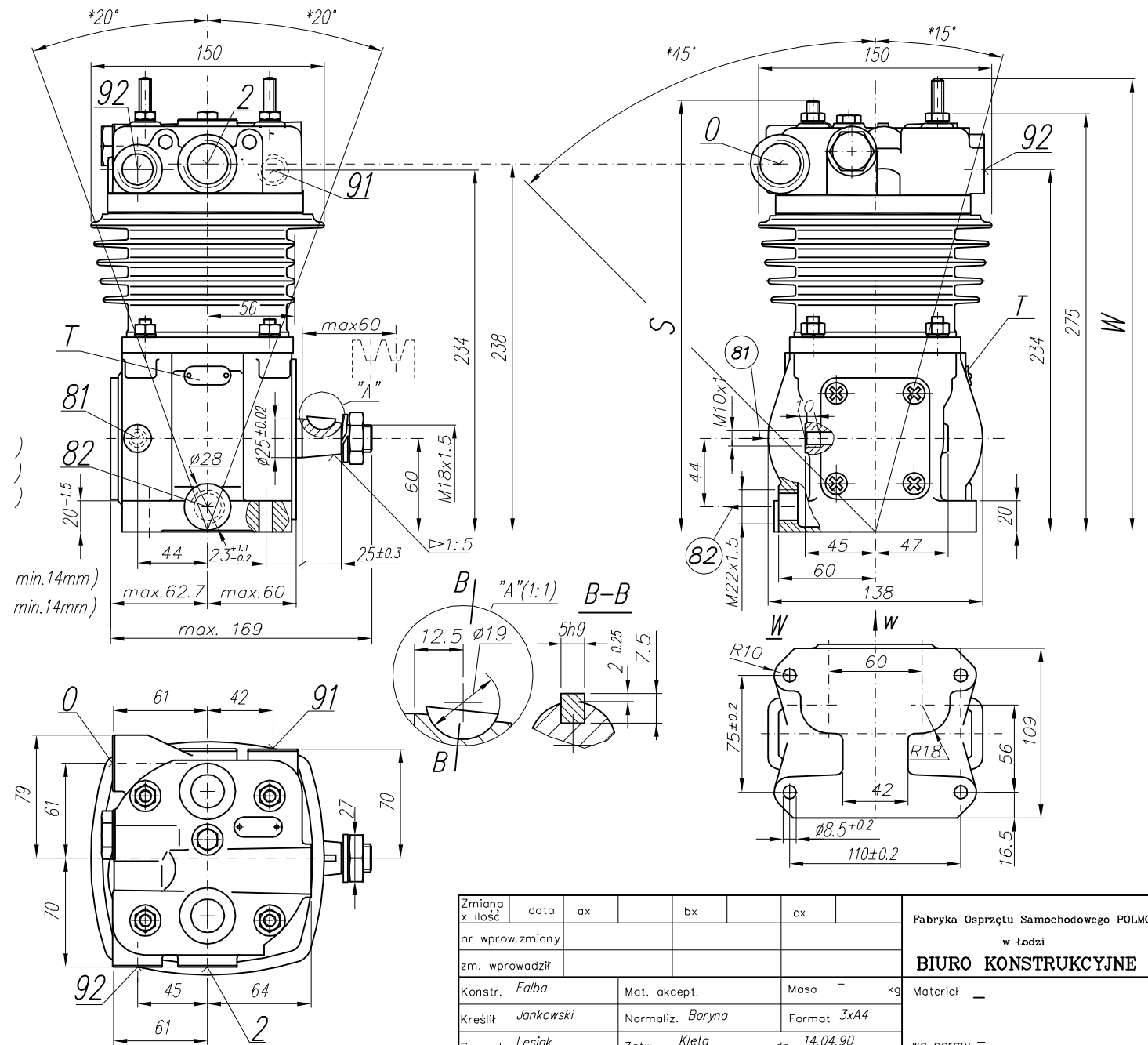
NOTE! The above characteristics are for open-inlet-valve control system at minimum cooling requirements and at ambient temperature +20°C

DEFINITIONS: CC=CT+CL - period of average operating cycle

$UC = \frac{CT}{CC} \times 100\%$ - percent ratio of compressor full load operating time in average operating cycle (also called percent duty cycle)

CL - compressor no-load operating time (exhaust to the atmosphere)

CT - compressor full load operating time



| Zmiana x ilość | data | ax | bx | cx | Fabryka Osprzętu Samochodowego POLMO w Łodzi |
|----------------------|------------------|----|--|----|--|
| | | | | | BIURO KONSTRUKCYJNE |
| nr. wprowadz. zmiany | | | | | |
| zm. wprowadził | | | | | |
| Konstr. Falba | Mat. akcept. | | Masa - kg | | Materiał - |
| Kreślił Jankowski | Normaliz. Boryna | | Format 3xA4 | | |
| Sprawdz. Lesiak | Zatw. Klela | | dn. 14.04.90 | | wg normy - |
| Podziaka | Nazwa | | 601.24.901 601.24.902 601.24.903 | | Nr rys. 601.24.901 |
| 1:2.5 | Compressors | | | | |