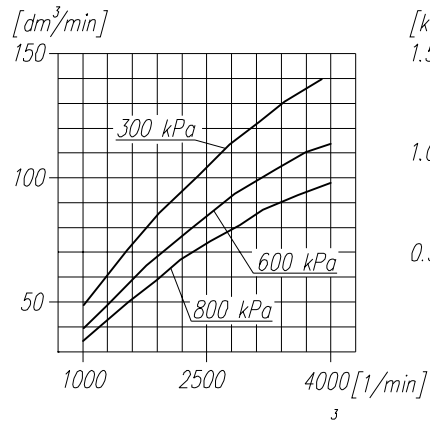
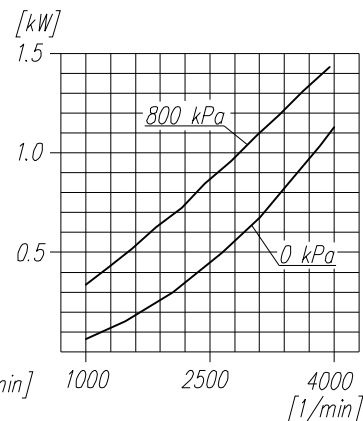


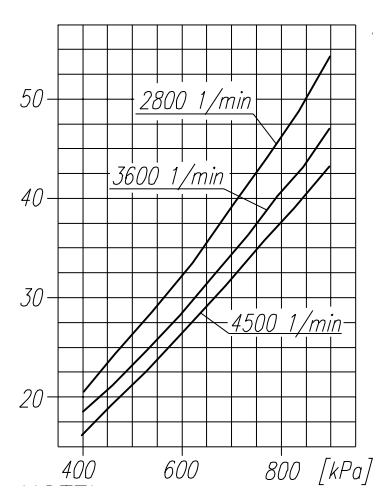
Suction capacity



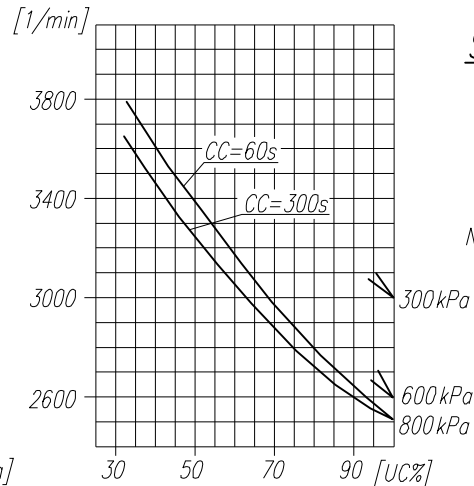
Power consumption



Capacity to fill a tank of 10dm



Max. r.p.m. for continuous duty



NOTE! The above characteristics are for open-inlet-valve control system at minimum cooling requirements and at ambient temperature $+20^\circ\text{C}$

DEFINITIONS: $CC=CT+CL$ - period of average operating cycle

$UC = \frac{CT}{CC} \times 100\%$ - percent ratio of compressor full load operating time in average operating cycle (also called percent duty cycle)

CL - compressor no-load operating time (exhaust to the atmosphere)

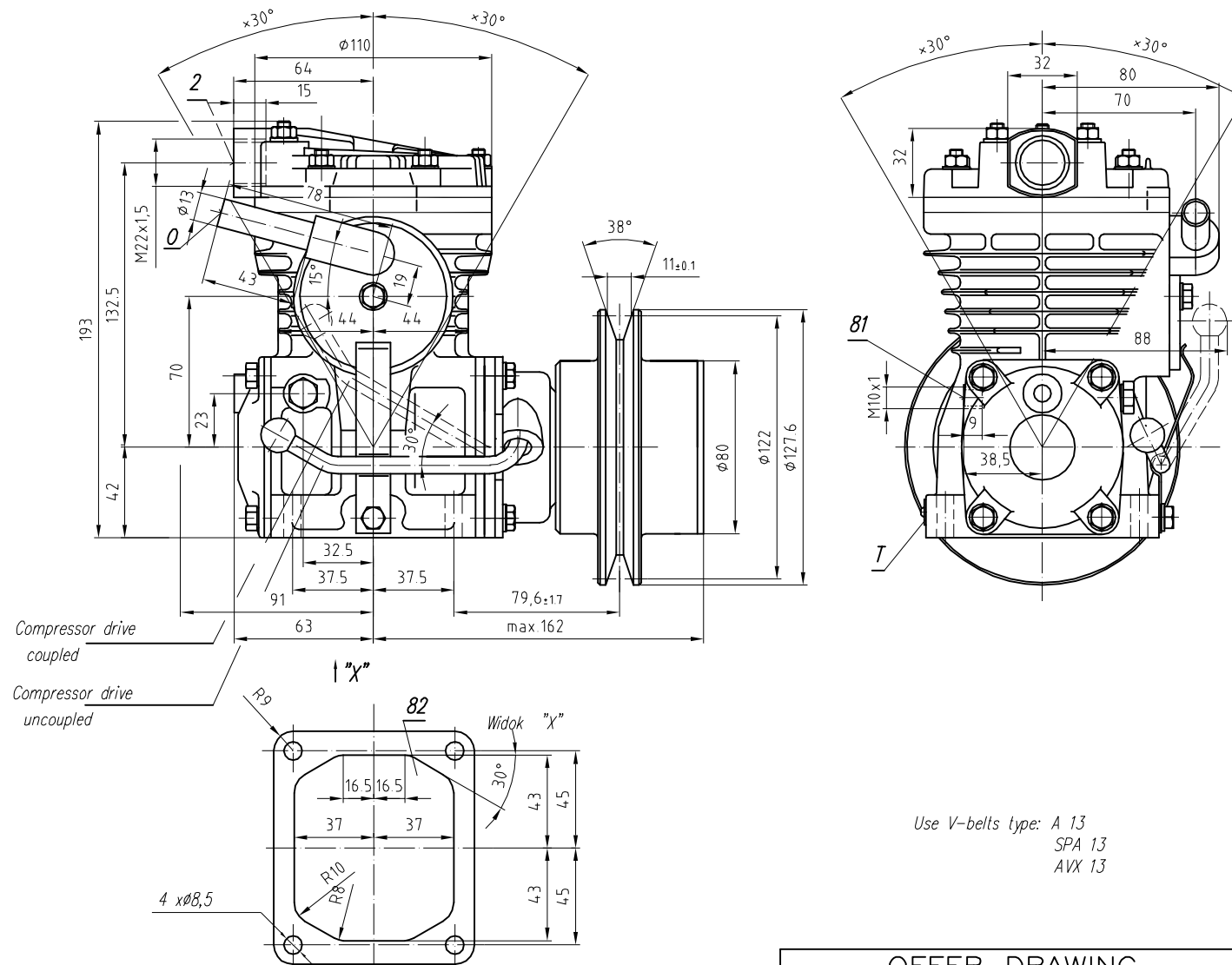
CT - compressor full load operating time

TECHNICAL DATA:

Number of cylinders 1
 Cylinder diameter 65 mm
 Piston stroke 23 mm
 Total piston displacement 76 cm^3
 Mass 8,5 kg
 Working pressure 800 kPa
 Max. pressure for short time duty 1000 kPa
 Max. allowable temp. of compressed air $+220^\circ\text{C}$
 Cooling by inflation of air, with the speed of the stream min. 4 m/s
 Lubrication forced circulation, splash lubrication
 min. pressure of oil 300 ± 200 kPa
 (The pressure drop down is allowed to min. 60 kPa during the idle running of the heated up engine)

SYMBOLS DESCRIPTION:

0 -
 2 -
 81 - lubricating oil inlet
 82 - lubricating oil outlet and crankcase breathing
 Numeral signs according to "International Standard ISO-6786"
 T - rating plate
 * - max. angular deflection of the compressor



Use V-belts type: A 13
 SPA 13
 AVX 13

| GENERAL TOLERANCES | | | | |
|--------------------|-----------------------------------|----------|-----------|------|
| CLASS | RANGE OF NOMINAL DIMENSIONS (±)MM | | | |
| | ≤50 | >50 ≤180 | >180 ≤400 | ≥400 |
| II | 1.0 | 2.0 | 3.0 | 4.0 |

| OFFER DRAWING | | | |
|---------------|--------------|---------------------------|--------------------------------|
| Konstr. | K.Malinowski | 15.03.2004 | FABRYKA OSPRZĘTU SAMOCHODOWEGO |
| Normaliz. | A.Walnicki | | POLMO-KÓDZ S.A. |
| Sprawdzit | W.Lesiak | | |
| Zatwierdził | W.Lesiak | | Dział Konstrukcji |
| Podziałka | Nazwa | 1:2 Compressor 601.17.977 | |