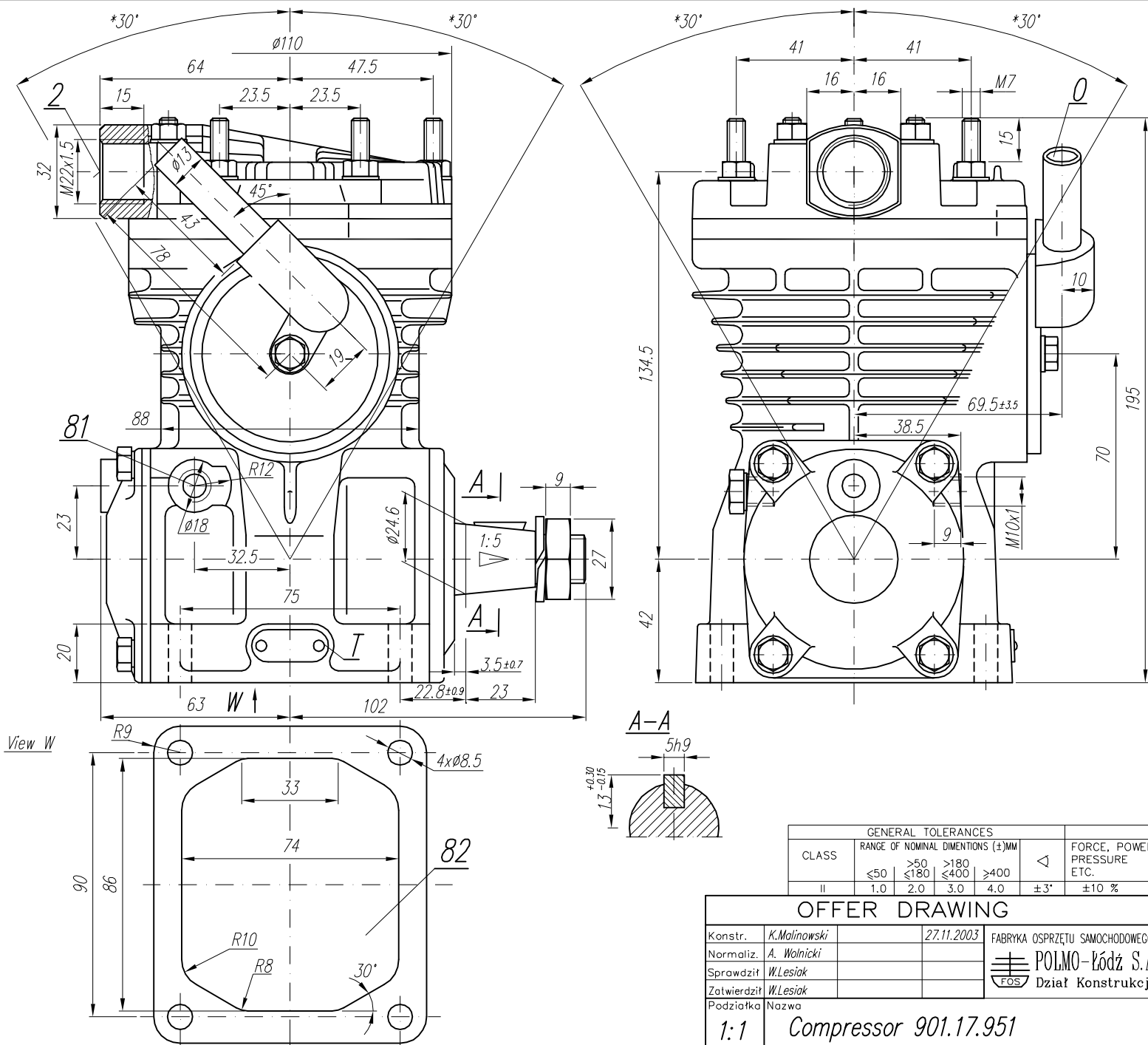
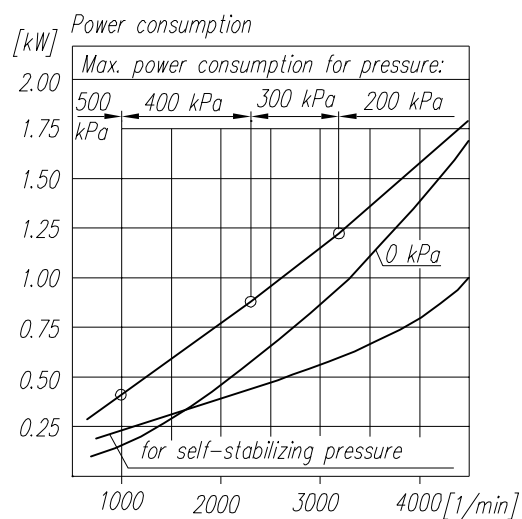


TECHNICAL DATA:

Number of cylinders 1
 Cylinder diameter 65 mm
 Piston stroke 23 mm
 Total piston displacement 76 cm³
 Mass 6.5 kg
 Self-stabilizing pressure 1200 ⁺²⁰⁰/₋₁₀₀ kPa
 Max. allowable temp. of compressed air +220 °C
 Cooling by inflation of air, with the speed of the stream min. 6 m/s
 Lubrication forced circulation, splash lubrication
 min. pressure of oil 200 kPa

SYMBOLS DESCRIPTION:

0 - suction connection
 2 - discharge connection
 81 - lubricating oil inlet
 82 - lubricating oil outlet and crankcase breathing
 Numerical signs according to International Standard ISO-6786
 T - rating plate
 * - max. angular deflection of the compressor



NOTE! The above characteristics are for open-inlet-valve control system at minimum cooling requirements and at ambient temperature +20°C

CLASS	GENERAL TOLERANCES				FORCE, POWER PRESSURE ETC.
	RANGE OF NOMINAL DIMENSIONS (±)MM				
II	≤50	>50 ≤180	>180 ≤400	>400	±3' ±10 %
	1.0	2.0	3.0	4.0	

OFFER DRAWING					
Konstr.	K.Malinowski	27.11.2003	FABRYKA OSPRZĘTU SAMOCHODOWEGO		
Normaliz.	A. Wolnicki		POLMO-Łódź S.A.		
Sprawdził	W.Lesiak		Dział Konstrukcji		
Zatwierdził	W.Lesiak				
Podziałka	Nazwa	1:1 Compressor 901.17.951			