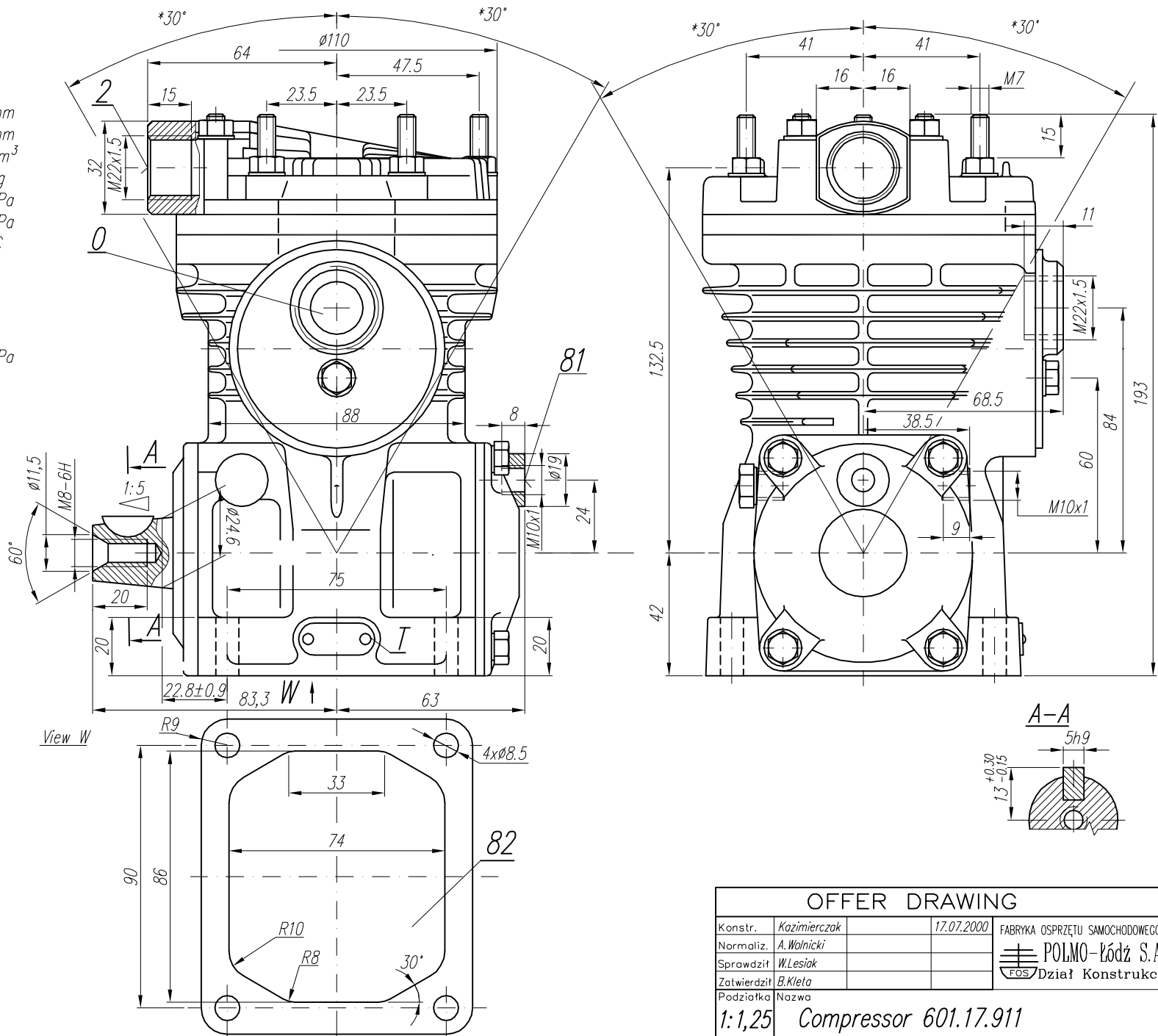


**TECHNICAL DATA:**

Number of cylinders 1  
 Cylinder diameter 65 mm  
 Piston stroke 23 mm  
 Total piston displacement 76 cm<sup>3</sup>  
 Mass 6.5 kg  
 Working pressure to 1600 kPa  
 Max. pressure for short time load 1800 kPa  
 Max. allowable temp. of compressed air +220 °C  
 Cooling by blow of air, with the speed of the flow min. 6 m/s  
 Lubrication forced circulation, splash lubrication  
 min. pressure of oil 200 kPa

**SYMBOL DESCRIPTION:**

0 - suction end  
 2 - discharge end  
 81 - lubricating oil inlet  
 82 - lubricating oil outlet and crankcase breathing  
 T - rating plate  
 \* - max. angular tilt of the compressor



**NOTE!** The above characteristics are for open air suction system at ambient temperature +20°C and for cooling with fan

**DEFINITIONS:** CC=CT+CL - period of compressor average operating cycle

$UC = \frac{CT}{CC} \times 100\%$  - percentage fraction of loaded compressor operating time in average operating cycle

CL - compressor no-load operating time (free blow-out to atmosphere)

CT - loaded compressor operating time

**OFFER DRAWING**

|             |               |                              |                                |
|-------------|---------------|------------------------------|--------------------------------|
| Konstr.     | Kazimierzczak | 17.07.2000                   | FABRYKA OSPRZĘTU SAMOCHODOWEGO |
| Normaliz.   | A.Walnicki    |                              | POLMO-Łódź S.A.                |
| Sprawdził   | W.Lesiak      |                              |                                |
| Zatwierdził | B.Kleto       |                              | FOS Dział Konstrukcji          |
| Podziałka   | Nazwa         | 1:1,25 Compressor 601.17.911 |                                |