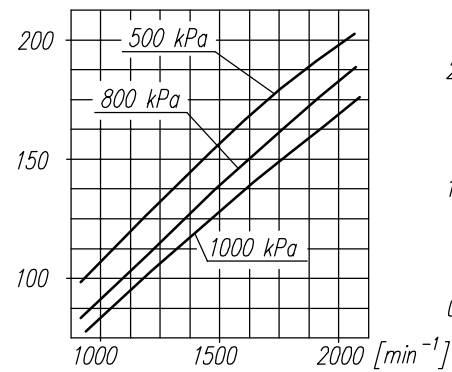
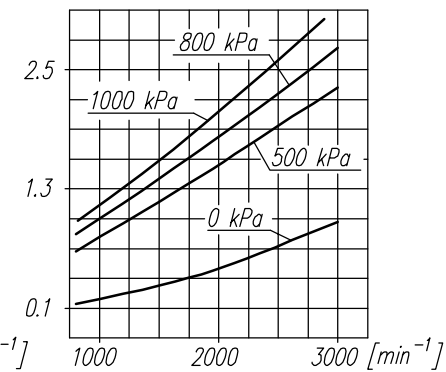


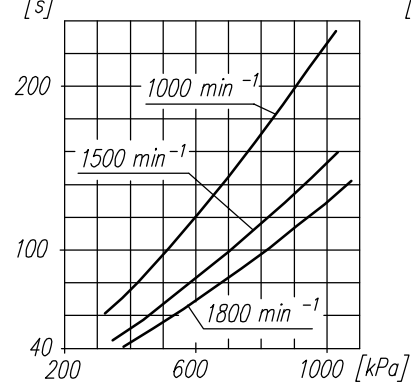
Suction capacity
[dm³/min]



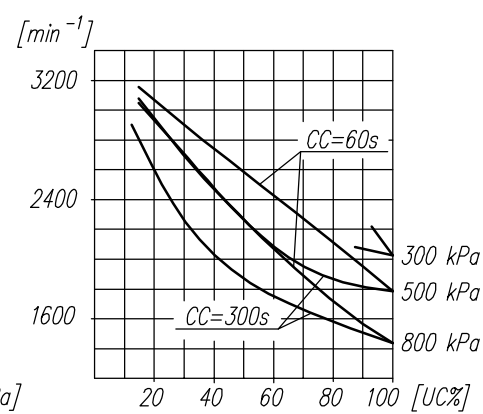
Power consumption
[KW]



Time to fill a tank of 40dm³ capacity
[s]



Max. r.p.m. for continuous duty
[min⁻¹]



NOTE !

The above characteristics are for open-inlet-valve control system at minimum cooling requirements and at ambient temperature +20° C.

TECHNICAL DATA:

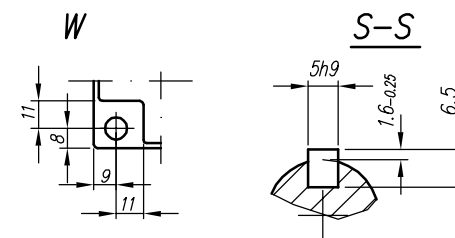
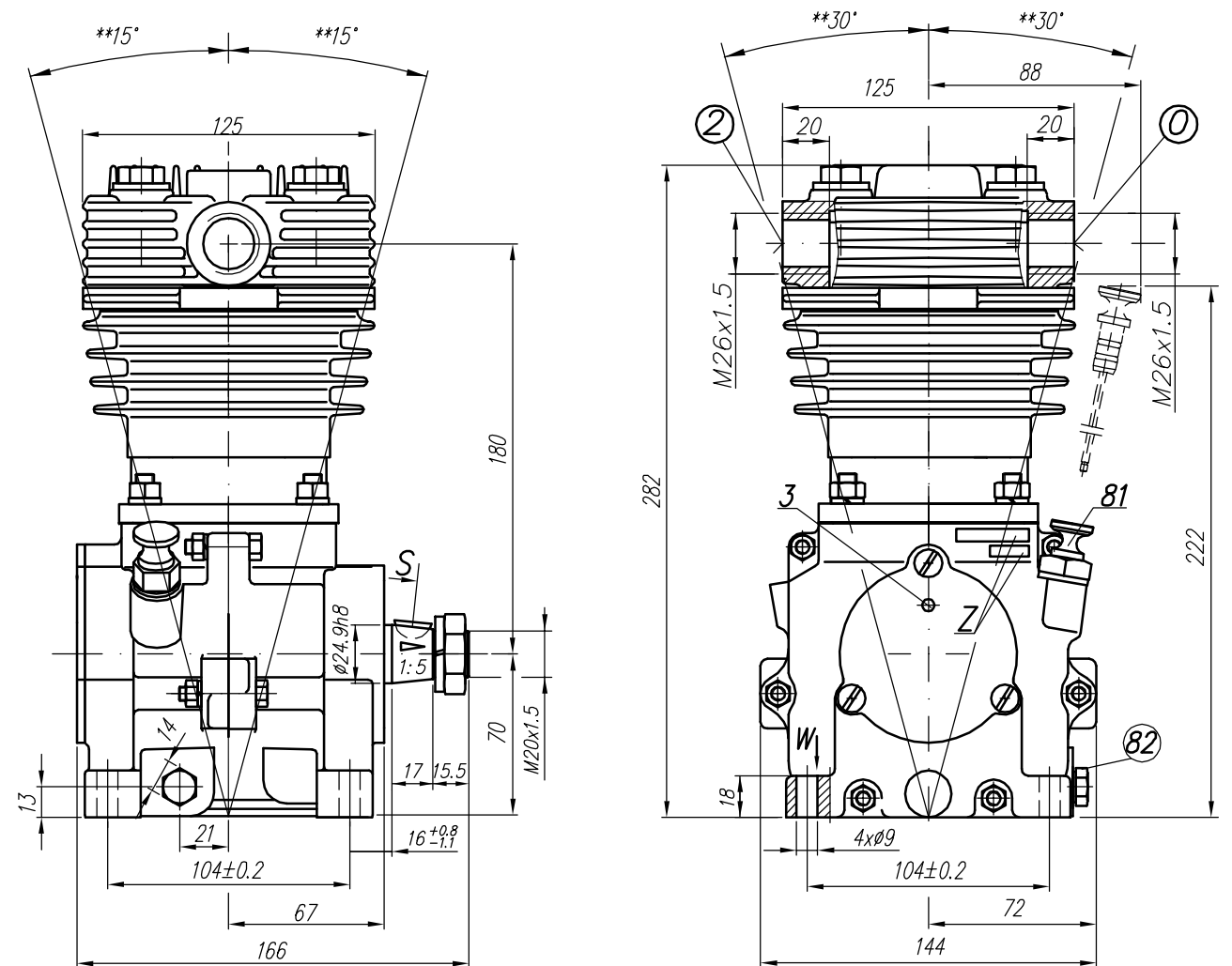
- Number of cylinders 1
- Cylinder diameter ø75 mm
- Piston stroke 38 mm
- Total piston displacement 168 cm³
- Mass ~8,0 kg
- Working pressure ≤ 800 kPa
- Max. pressure for short time duty ≤ 1000 kPa
- Max. allowable temp. of compressed air ≤ +220 °C
- Cooling by inflation of air, with the speed of the stream min. 4 m/s
- Lubrication individual splash lubrication with motor oil poured into the crankcase; oil volume about 140 cm³

SYMBOLS DESCRIPTION:

- 0 - suction connection
- 2 - discharge connection
- 3 - breather
- 81 - oil inlet
- 82 - oil outlet
- Numeral signs according to International Standard ISO-6786
- Z - compressor symbol and production date
- ** - max. angular deflection of the compressor

DEFINITIONS:

- CL - compressor no-load operating time (exhaust to the atmosphere)
- CT - compressor full load operating time
- CC=CT+CL - period of average operating cycle
- UC= $\frac{CT}{CC}$ x 100% - percent ratio of compressor full load operating time in average operating cycle (also called percent duty cycle)



OFFER DRAWING			
Konstr.	J. Bil	31.03.04	FABRYKA OSPRZĘTU SAMOCHODOWEGO
Normaliz.	A. Wolnicki		POLMO-Łódź S.A. Dział Konstrukcji
Sprawdził	W. Lesiak		
Zatwierdził			
Podziałka	Nazwa	1:2 Compressor 601.15.903	