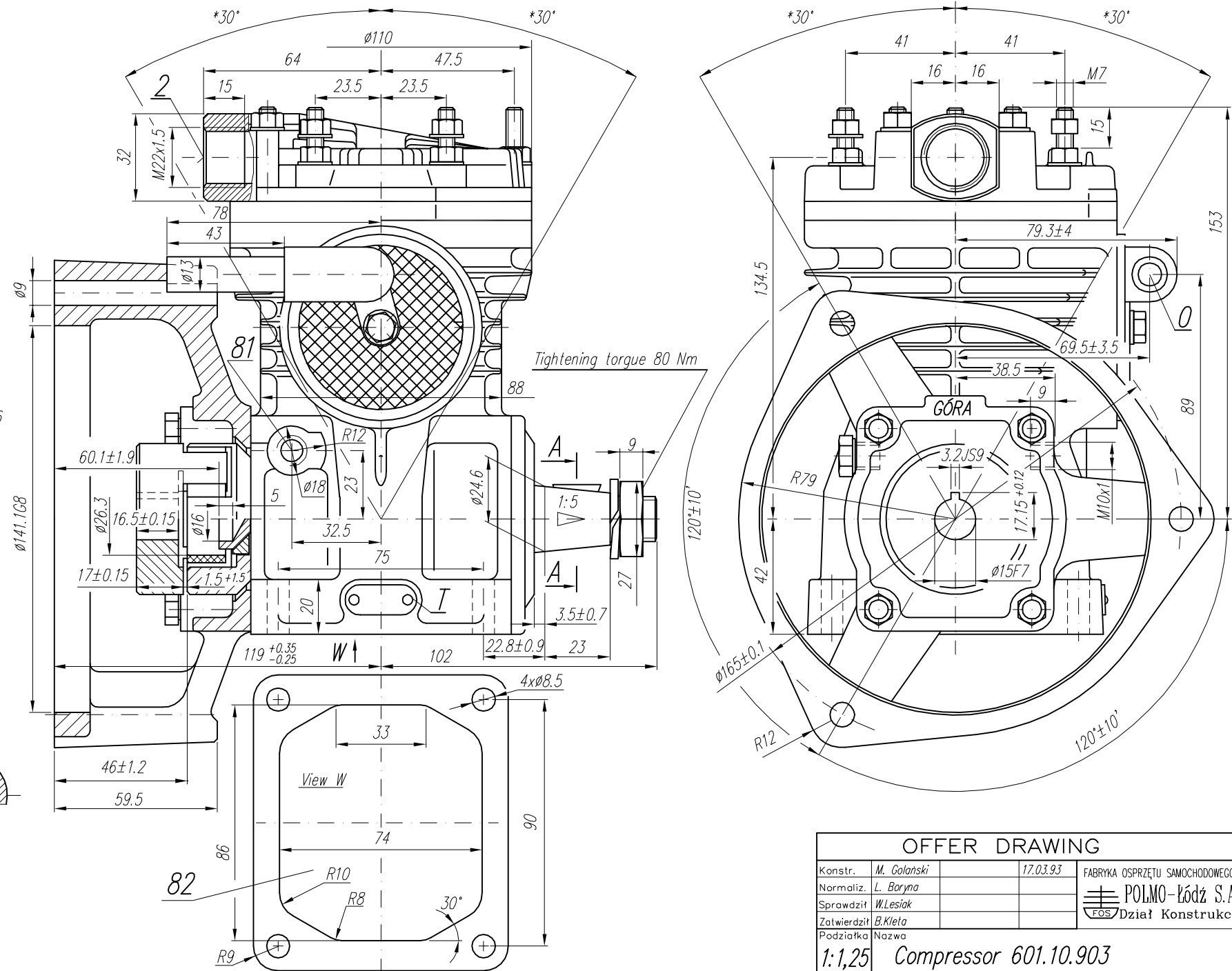
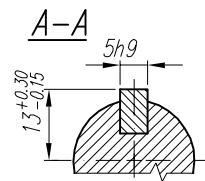
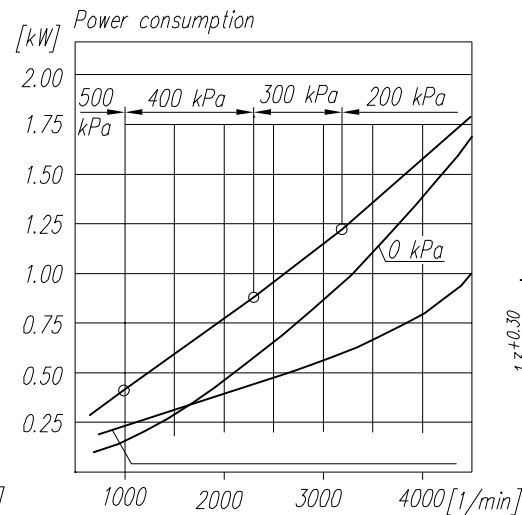
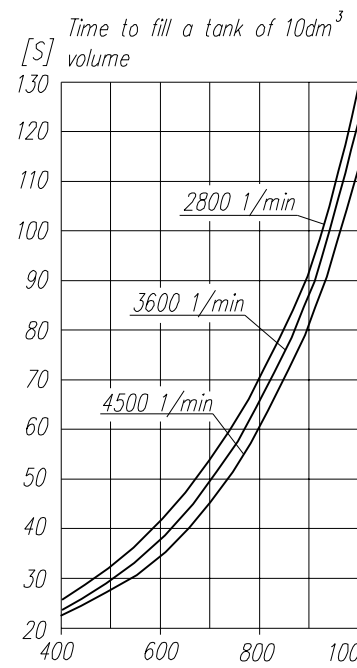


**TECHNICAL DATA:**

Number of cylinders 1  
 Cylinder diameter 65 mm  
 Piston stroke 23 mm  
 Total piston displacement 76 cm<sup>3</sup>  
 Mass 6.5 kg  
 Self-stabilizing pressure 1200<sup>+200</sup><sub>-100</sub> kPa  
 Max. allowable temp. of compressed air +220 °C  
 Cooling by blow of air, with the speed of the flow min. 6 m/s  
 Lubrication forced circulation, splash lubrication  
 min. pressure of oil 200 kPa

**SYMBOL DESCRIPTION:**

0 - suction end  
 2 - discharge end  
 81 - lubricating oil inlet ( thread M10x1 length 9 mm )  
 82 - lubricating oil outlet and crankcase breathing  
 Digital marking according to International Standard ISO-6786  
 T - rating plate  
 \* - max. angular tilt of the compressor



**NOTE!** The above characteristics are for open air suction system at ambient temperature +20°C and for cooling with fan

OFFER DRAWING			
Konstr.	M. Golański	17.03.93	FABRYKA OSPRZĘTU SAMOCHODOWEGO
Normaliz.	L. Baryna		POLMO-Łódź S.A.
Sprawdził	W. Lesiak		
Zatwierdził	B. Kleto		FOS Dział Konstrukcji
Podziałka	Nazwa	1:1,25 Compressor 601.10.903	