

NOTE! The above characteristics are for open-inlet-valve control system at minimum cooling requirements and at ambient temperature +20°C

DEFINITIONS: CC=CT+CL - period of average operating cycle

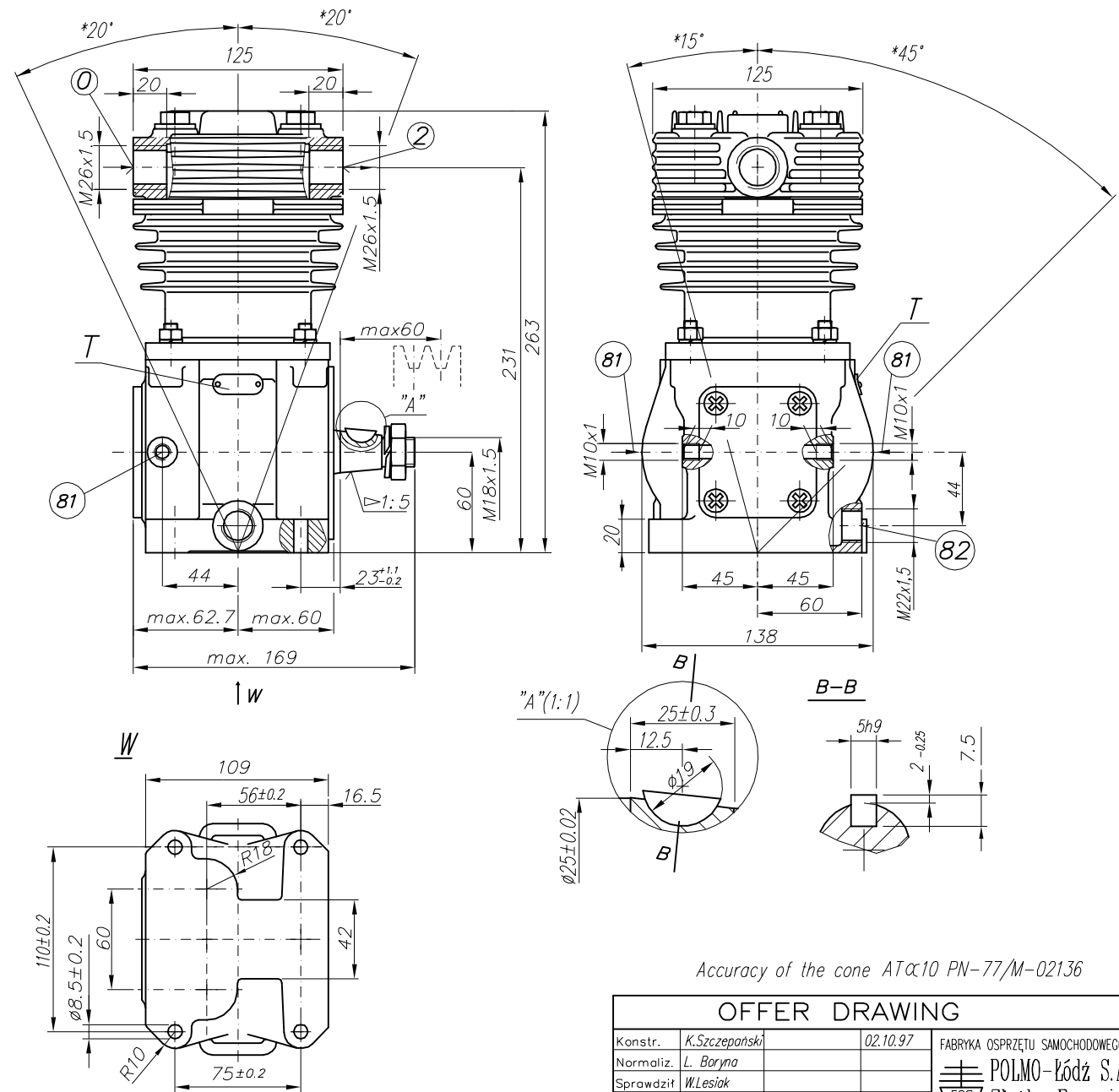
$UC = \frac{CT}{CC} \times 100\%$ - percent ratio of compressor full load operating time in average operating cycle (also called percent duty cycle)
 CL - compressor no-load operating time (exhaust to the atmosphere)
 CT - compressor full load operating time

TECHNICAL DATA:

- Number of cylinders - 1
- Cylinder diameter - 75 mm
- Piston stroke - 36 mm
- Total piston displacement - 159 cm³
- Mass - 10 kg
- Working pressure - 800 kPa
- Max. pressure for short time duty - 1000 kPa
- Max. allowable temp. of compressed air - +220 °C
- Cooling by inflation of air, with the speed of the stream min. 4m/s
- Lubrication forced circulation, splash lubrication
- min. pressure of oil 200kPa

SYMBOLS DESCRIPTION:

- 0 - suction connection (on the head signifying "S")
- 2 - discharge connection (on the head signifying "D")
- 81 - lubricating oil inlet
- 82 - lubricating oil outlet and crankcase breathing
- Numeral signs according to International Standard ISO-6786
- T - rating plate
- * - max. angular deflection of the compressor



Accuracy of the cone ATα10 PN-77/M-02136

OFFER DRAWING			
Konstr.	K.Szczepański	02.10.97	FABRYKA OSPRZĘTU SAMOCHODOWEGO
Normaliz.	L. Baryna		POLMO-Łódź S.A. FOS Stuzba Rozwoju
Sprawdzit	W.Lesiak		
Zatwierdził	B.Kleto		
Podziałka	Nazwa		
1:2,5	Compressor 601.09.925		