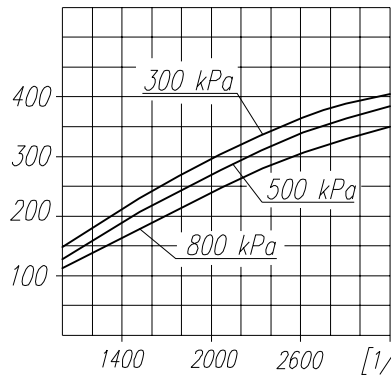


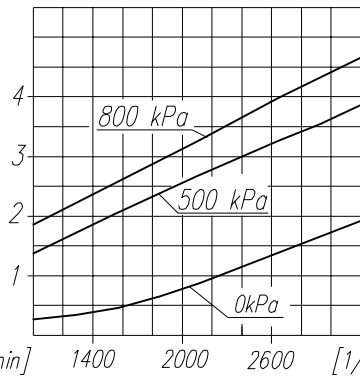
Suction capacity

[dm³/min]

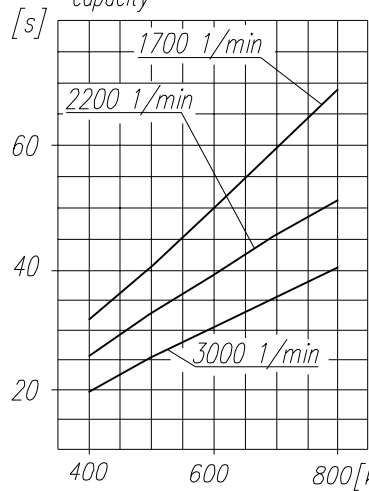


Power consumption

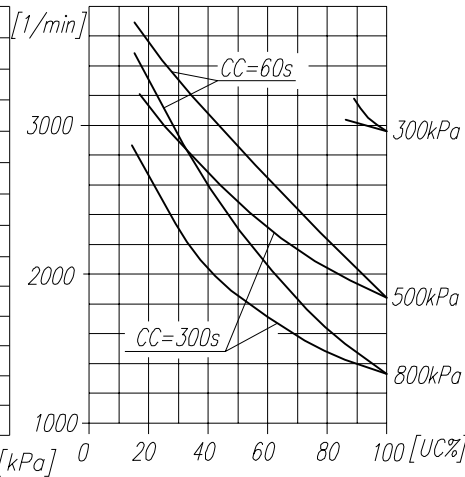
[kW]



Time to fill a tank of 40dm³ capacity



Max. r.p.m. for continuous duty



NOTE! The above characteristics are for open-inlet-valve control system at minimum cooling requirements and at ambient temperature +20°C

DEFINITIONS: CC=CT+CL - period of average operating cycle

$UC = \frac{CT}{CC} \times 100\%$ - percent ratio of compressor full load operating time in average operating cycle (also called percent duty cycle)

CL - compressor no-load operating time (exhaust to the atmosphere)

CT - compressor full load operating time

TECHNICAL DATA:

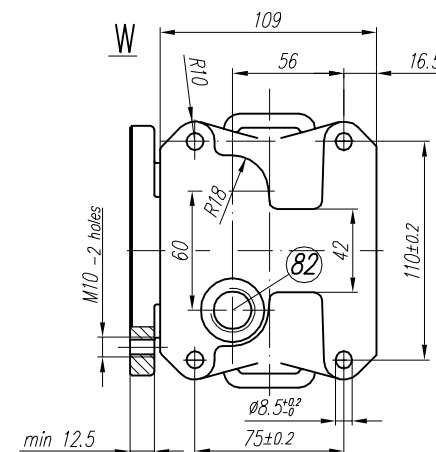
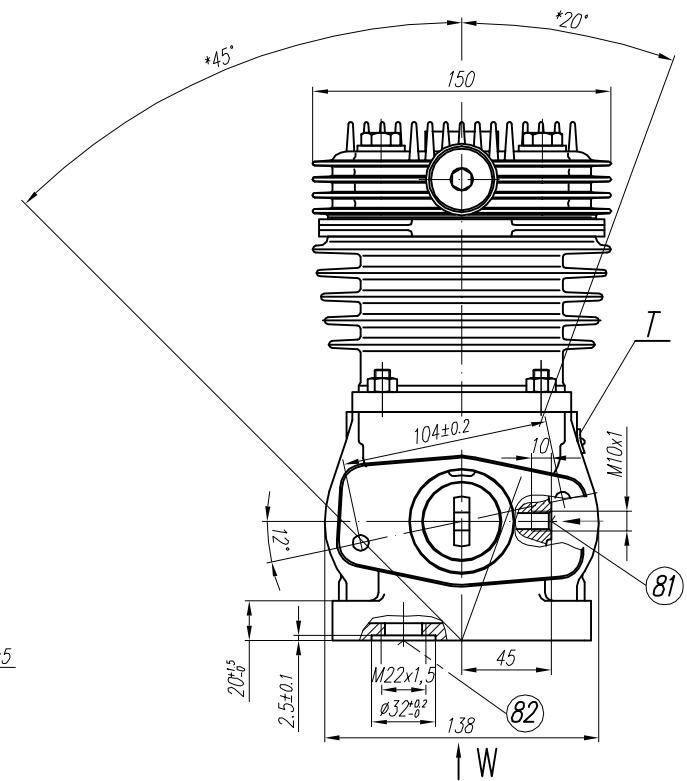
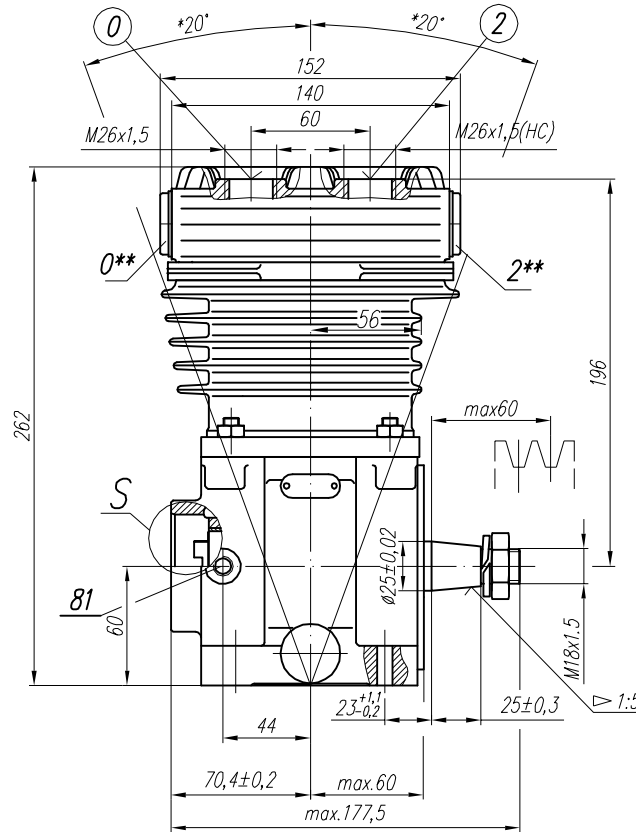
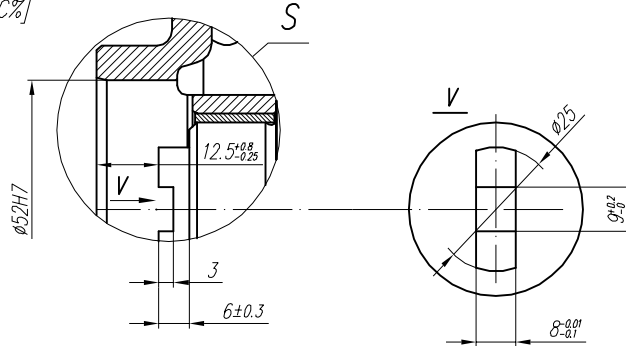
- Number of cylinders 1
- Cylinder diameter 90 mm
- Piston stroke 36 mm
- Total piston displacement 229 cm³
- Mass 11.5 kg
- Working pressure 800 kPa
- Max. pressure for short time duty 1000 kPa
- Max. allowable temp. of compressed air +220 °C
- Cooling by inflation of air, with the speed of the stream min. 4 m/s
- Lubrication forced circulation, splash lubrication min. pressure of oil 300±200 kPa
- (The pressure drop down is allowed to min. 60 kPa during the idle running of the heated up engine)

SYMBOLS DESCRIPTION:

- 0 - suction connection (thread M26x1,5 length 14mm)
- 2 - discharge connection (thread M26x1,5 length 14mm)
- 81 - lubricating oil inlet (thread M10x1 length 10mm)
- 82 - lubricating oil outlet and crankcase breathing (thread M22x1,5 length 5,5mm)

Numeral signs according to International Standard ISO-6786

- T - rating plate
- * - max. angular deflection of the compressor
- ** - mit Stopfen verschlossen



CLASS	GENERAL TOLERANCES				FORCE, POWER PRESSURE ETC.
	RANGE OF NOMINAL DIMENSIONS (±)MM				
II	≤50	>50 ≤180	>180 ≤400	>400	±3'
	1.0	2.0	3.0	4.0	±10 %

OFFER DRAWING

Konstr.	K. Malinowski	22.02.2006	FABRYKA OSPRZĘTU SAMOCHODOWEGO
Normaliz.	A. Wołnicki		POLMO-KÓDZ S.A.
Sprawdzt	A. Wołnicki		FOS Stuzba Rozwoju
Zatwierdził	A. Wołnicki		
Podziałka	Nazwa	1:2.5 Compressor 601.07.948	